

4MP 40X Lighthunter Laser IR Network Camera

IPC6854SL-X40WUP-VC



Key Features



Optics

- 40X Optical Zoom
- Starlight illumination
- Support Optical defog, Self-adaptive defog
- Day/night functionality
- Accurate and fast focusing
- Vari-focal laser: 650m (2132ft) distance,
- Gyroscope stabilization for stable picture

Compression

- 4 Megapixel image
- Ultra 265, H.265, H.264, MJPEG
- Five streams
- Customized OSD

Network

- ONVIF Conformance

Structure

- Innovative snow-removing functionality
- Support manual wiper function
- Intelligent temperature control technology
- Power supply: AC 24V±25%, DC 24V±25%, support PoE++ (IEEE 802.3bt)
- Support 1/1 audio in/out, 7/2 alarm in/out, 1 Serial port RS485
- Support up to 256G Micro SD card
- IP66

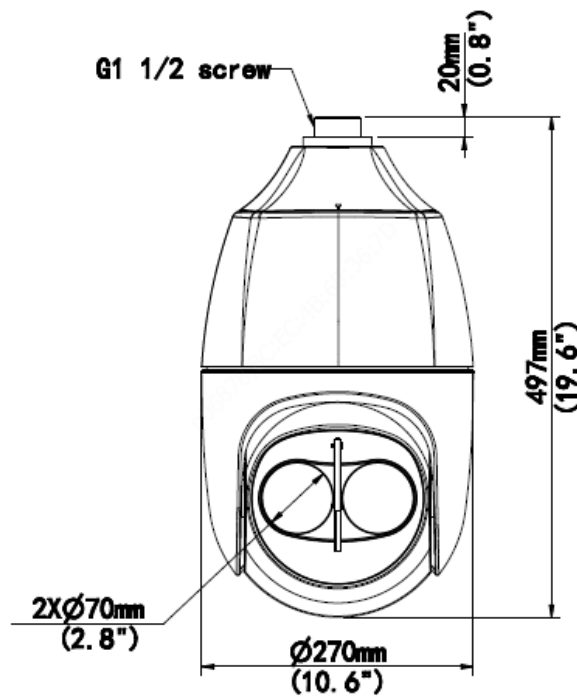
Specifications

Camera					
Sensor	1/1.8", 4.0 megapixel, progressive scan, CMOS				
Lens	5.7 ~ 228mm, AF automatic focusing and motorized zoom lens				
Digital Zoom	16				
Optical Zoom	40				
DORI Distance	Lens (mm)	Detect (m)	Observe (m)	Recognize (m)	Identify (m)
	5.7	107.2(351.8ft)	42.9(140.7ft)	21.4(70.4ft)	10.7(35.2ft)
	228	3330.6(10927.2ft)	1332.2(4370.9ft)	666.1(2185.4ft)	333.1(1092.7ft)
Angle of View (H)	58.5° ~ 2.1°				
Angle of View (V)	34.9° ~ 1.2°				
Angle of View (O)	72.0° ~ 2.5°				
Shutter	Auto/Manual; shutter time: 1 ~ 1/100000s				
Minimum Illumination	Colour: 0.0005Lux (F1.3, AGC ON) 0Lux with IR				
Iris	Auto/Manual; F1.3 ~ F4.6				
WDR	120dB				
Day/Night	IR-cut filter with auto switch (ICR)				
Digital noise reduction	2D/3D DNR				
S/N	>56dB				
VF Laser	650m(2132ft)				
Wiper	Support manual wiper function				
IR On/Off Control	Auto/Manual				
Defog	Optical Defog				
Video					
Video Compression	Ultra 265, H.265, H.264, MJPEG				
Frame Rate	Main Stream: 4MP (2688*1520), Max 60fps; Sub Stream: 2MP (1920*1080), Max 60fps;				

	Third Stream: D1 (720*576), Max 60fps Fourth Stream: D1 (720*576), Max 60fps Fifth Stream: D1 (720*576), Max 60fps
Video Bit Rate	128 Kbps~16 Mbps
ROI	Up to 8 areas
Video stream	Five streams
OSD	Up to 8 OSDs
Privacy Mask	Up to 24 blacks (Up to 8 blacks / 8 mosaics in the same picture)
Image	
White Balance	Auto/Outdoor/Fine Tune/Sodium Lamp/Locked/Auto2
Digital noise reduction	2D/3D DNR
Flip	Normal/Flip Vertical/Flip Horizontal/180°/90°Clockwise/90°Anti-clockwise
EIS	Supported (gyroscope)
HLC	Support
BLC	Support
Event	
General Function	Watermark, IP Address Filtering, Alarm input, Alarm output, Access Policy, ARP Protection, RTSP Authentication, User Authentication
Audio	
Audio Compression	G.711
Two-way audio	Supported
Suppression	Supported
Sampling Rate	8KHZ
Storage	
Edge Storage	Micro SD, up to 256GB
Network Storage	ANR,NAS(NFS)
Network	
Protocols	IPv4, IGMP, ICMP, ARP, TCP, UDP, DHCP, PPPoE, RTP, RTSP, RTCP, DNS, DDNS, NTP, FTP, UPnP, HTTP, HTTPS, SMTP, 802.1x, SNMP, QoS, RTMP
Compatible Integration	ONVIF (Profile S, Profile G, Profile T), API
Client	EZStation Ezview EZLive
Web Browser	Plug-in required live view: IE9+, Chrome 41 and below, Firefox 52 and below
Pan & Tilt	
Pan Range	360° (endless)
Pan Speed	0.1°/s ~ 180°/s
	Preset speed: 300°/s
Tilt Range	-15° ~ 90° (auto reverse)
Tilt Speed	0.1° ~ 180°
	Preset speed: 240°/s
Number of Presets	1024
Patrol	Preset patrol, route patrol, recorded patrol
Home Position	Supported

Interface	
Audio I/O	Audio cable
	1 input: impedance 1k Ω ; amplitude 2V [p-p]
	1 output: impedance 600 Ω ; amplitude 2V [p-p]
Alarm I/O	7/2
Serial Port	1 RS485
Network	1 RJ45 10M/100M Base-TX Ethernet
General	
Power	AC 24V \pm 25%, DC 24V \pm 25%, PoE++ (IEEE 802.3bt)
	Power consumption: Max 62W
Dimensions (\varnothing x H)	\varnothing 270 x 497mm (\varnothing 10.6" x 19.6")
Weight	9.69kg (21.4lb)
Working Environment	-40°C ~ 70°C (-40°F ~ 158°F), Humidity: \leq 95% RH (non-condensing)
Ingress Protection	IP66
Reset Button	Supported

Dimensions



Accessories

TR-UF45-A-IN



TR-SE45-A-IN



TR-SE45-IN



TR-CE45-IN



TR-JB12-IN



TR-WE45-A-IN



TR-WE45-B-IN


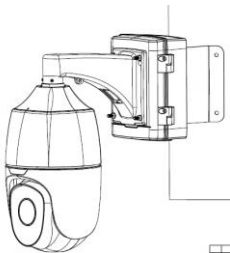


TR-UP08-A/B-IN



TR-UC08-A/B-IN



Pendent Mount	Wall Mount
<p>TR-UF45-A-IN + TR-SE45-A-IN/TR-SE45-IN; TR-CE45-IN;</p>	<p>TR-WE45-A-IN/TR-WE45-B-IN + TR-JB12-IN + TR-UC08-A/B-IN</p>
	
Pole Mount	
<p>TR-WE45-A-IN/TR-WE45-B-IN + TR-JB12-IN + TR-UP08-A/B-IN</p>	
