



# SN-TPC2552CT-F

Bi-spectrum Network Eyeball Camera



## Key Features

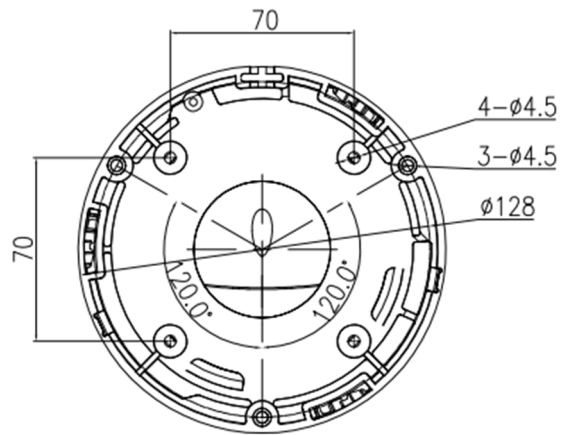
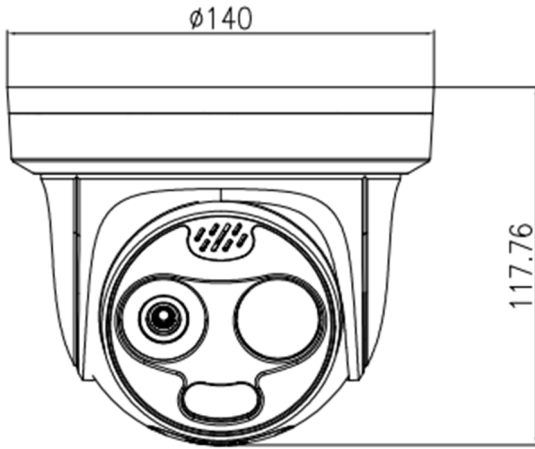
- Uncooled VOx Micro bolometer with 256×192 resolution
- Thermal: 3.5 mm fixed lens, Visible: 4 mm fixed lens
- Support human, vehicle, fire point and smoker detection
- Intelligent analysis: intrusion, single line crossing, double line crossing, loitering, wrong way, people counting, enter area, leave area
- Support 3 temperature measurement rule types (Spot, Line, Area)
- Image processing technology: DVE, 3D DNR, Defog, WDR
- Built-in microphone and speaker, support sound-light alarm
- Smart IR distance up to 35m
- Support I/O alarm, RS485, built-in SD card slot
- DC12V/DC24V, PoE power supply

# Specification

Thermal Camera	
Image Sensor	Vanadium Oxide Uncooled Focal Plane Arrays
Resolution	256×192, Image can be scaled up to 704×576
Pixel Pitch	12um
Spectral Range	8~14um
Thermal Sensitivity (NETD)	≤ 60mK
Lens Type	Fixed, F1.0
Focus Control	Free focus
Focal Length	3.5 mm
Angle of View	H: 48°, V: 36°
Detection Distance (Humans: 1.8×0.5m)	146m
Detection Distance (Vehicles: 4×1.5m)	447m
Recognition Distance (Human: 1.8×0.5m)	36m
Recognition Distance (Vehicle: 4×1.5m)	112m
Detection Distance (Fire: 0.1×0.1m)	14m
Detection Distance (Fire: 1×1m)	146m
Visible Camera	
Image Sensor	1/2.7" CMOS
Effective Resolution	2880(H)×1620(V)
Shutter Speed	1/5 ~ 1/20,000s
Wide Dynamic Range	True WDR 120dB
Min. Illumination	Color: 0.001Lux @(F1.2, AGC ON) BW: 0.0003Lux @(F1.2, AGC ON)
S/N Ratio	More than 55dB
Focal Length	4mm
Angle of View	H: 92°, V: 46°
Illuminator	
IR Distance	Up to 35m
White Light	Strobe light
Video and Audio	
Main Stream	Visible: 2880×1620, 2560×1440, 2304×1296, 1920×1080, 1280×720 @25/30fps Thermal: 704×576 @25/30fps
Sub Stream	Visible: D1, VGA, 640×360, CIF, QVGA @25/30fps Thermal: CIF @25/30fps
Bit Rate Control	CBR/VBR
Bit Rate	Main Stream: Visible: 100Kbps~12Mbps, Thermal: 100Kbps~6Mbps Sub Stream: Visible: 100Kbps~6Mbps, Thermal: 100Kbps~6Mbps
Region of Interest	Off / On (8 Zone, Rectangle)
Smart Encode	Support
Audio Compression	G.711: 8kbps, RAW_PCM: 16kbps
Image	
Image Setting	Brightness, Sharpness, Contrast, Saturation
Mirror	Support

Pseudo-color Setting	White-hot/Black-hot/Rainbow/Ironbow etc. up to 17 modes (Thermal)
DVE Image Enhance	Support (Thermal)
Noise Reduction	2D/3D DNR
Privacy Masking	Support
Motion Detection	Support
Smart Function	
Smart Function	Temperature measurement, human detection and vehicle detection
Advanced Intelligence Analysis	Smoker detection, Smoke and Flame detection, fire point detection
Intelligent Analysis	Intrusion, Single line crossing, Double line crossing, Loitering, Wrong way, Enter area, Leave area (these 7 function support accurate detection of people/vehicles), People counting
Sound-light Alarm	Support white light flashing and horn warning
Temperature Measurement	3 temperature measurement rule types, 20 rules in total, 1 full screen, 19 others (points, areas, line).
Temperature Alarm	Over temperature alarm, Temperature difference alarm
Accuracy	±2°C / ±2%
Response Time	≤ 30ms
Temperature Measurement Range	-20°C ~ 150°C (-4°F ~ 302°F)
Network	
Protocols	IPv4/IPv6, HTTP, RTSP/RTP/RTCP, TCP/UDP, DHCP, DNS, PPPOE, SMTP, 802.1x
Interoperability	ONVIF
Max. User Access	10 Users
Web Viewer	<IE11, Chrome, Firefox, Microsoft Edge
Web Language	English, Chinese, Polish, Italian, Portuguese, Spanish, Russian, French, Czech, Hungarian
Interface	
Network Interface	1 Ethernet (10/100 Base-T) RJ-45 Connector
Audio Interface	1ch input, 1ch output
Built-in Microphone	Support
Built-in Speaker	Support
Alarm Interface	1ch input, 1ch output
RS485	Support
HDMI Interface	Support
Reset Button	Support
SD Card Slot	Support, up to 256GB
General	
Power Supply	DC12V/DC24V/POE (IEEE 802.3af)
Power Consumption	Max 10W
Working Temperature	-40°C ~ 60°C (-40°F ~ 140°F)
Storage Conditions	0 ~ 90% RH
Certifications	CE /FCC
Ingress Protection	IP66
Casing	Metal
Dimensions	φ140 mm × 117.8 mm (5.51 "×4.64 ")
Net Weight	1.03 Kg (2.27 lb)

## Dimensions (mm)



## Accessories

Optional:



SN-CBK645D  
Junction Box



SN-CBK206  
Pendant Cap



SN-CBK402  
Pendant Mount



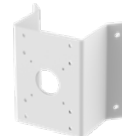
SN-CBK501  
Wall Mount



SN-CBK502  
Wall Mount



SN-CBK101  
Pole Mount



SN-CBK102  
Corner Mount